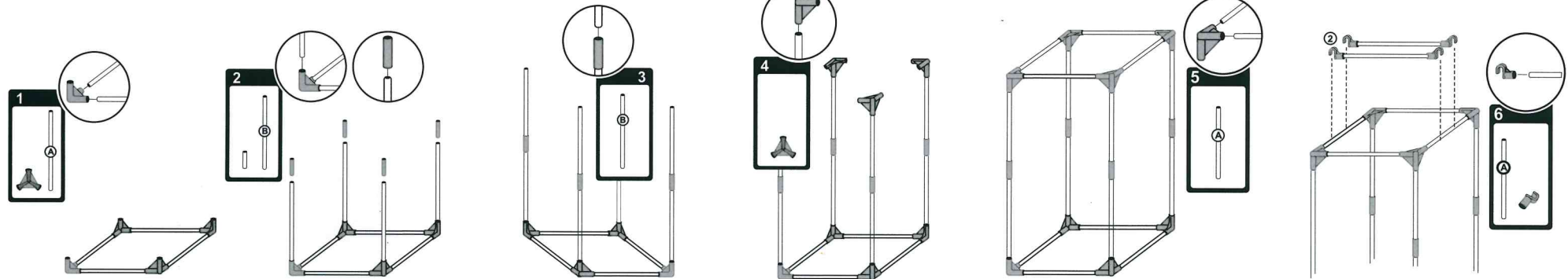
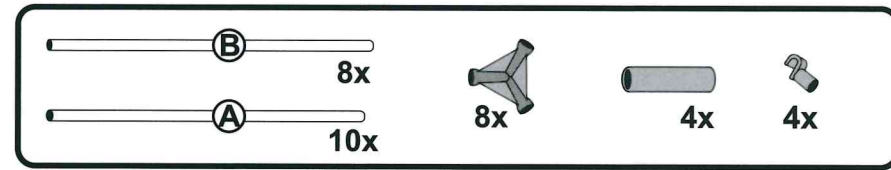


# BASIC - CLASSIC

SET UP INSTRUCTIONS VALID FOR THE FOLLOWING SIZES OF TENTS

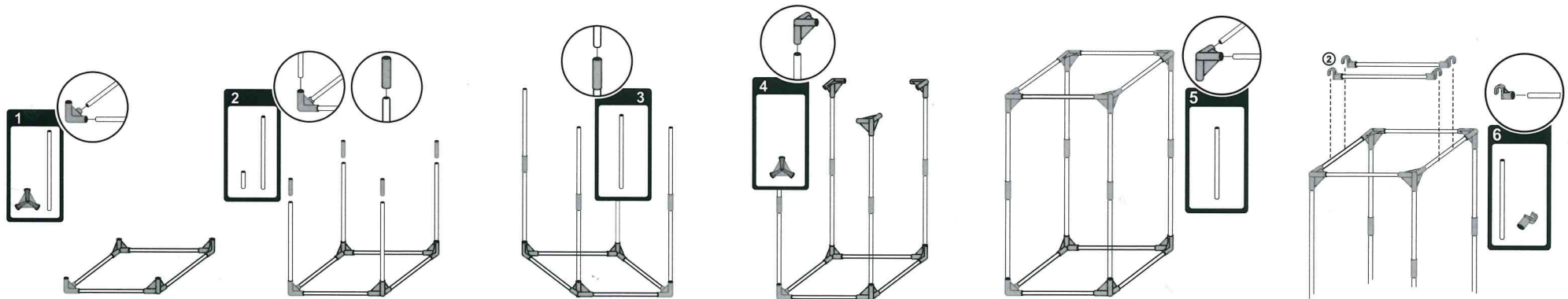
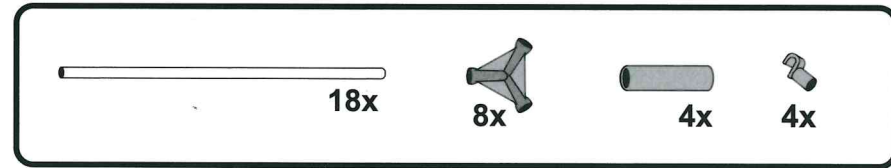
## 40 / 60 / 120 / 150



# BASIC - CLASSIC

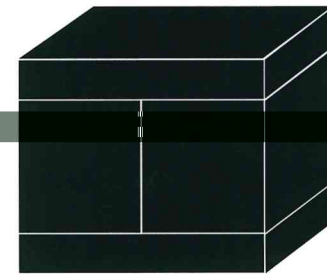
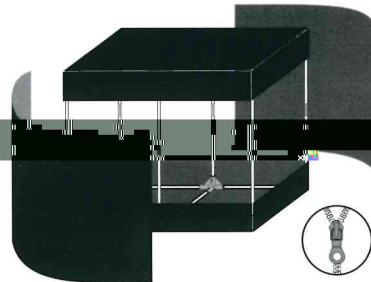
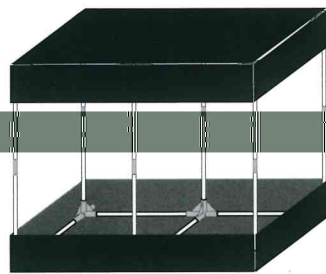
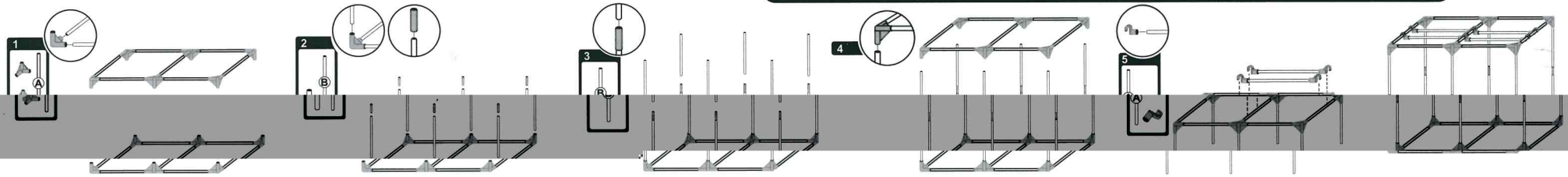
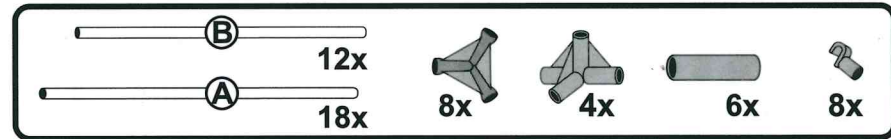
SET UP INSTRUCTIONS VALID FOR THE FOLLOWING SIZES OF TENTS

## 80 / 100



# BASIC - CLASSIC 240L

SET UP INSTRUCTIONS VALID FOR THE FOLLOWING SIZE OF TENT



# BASIC - CLASSIC 240

SET UP INSTRUCTIONS VALID FOR THE FOLLOWING SIZE OF TENT

